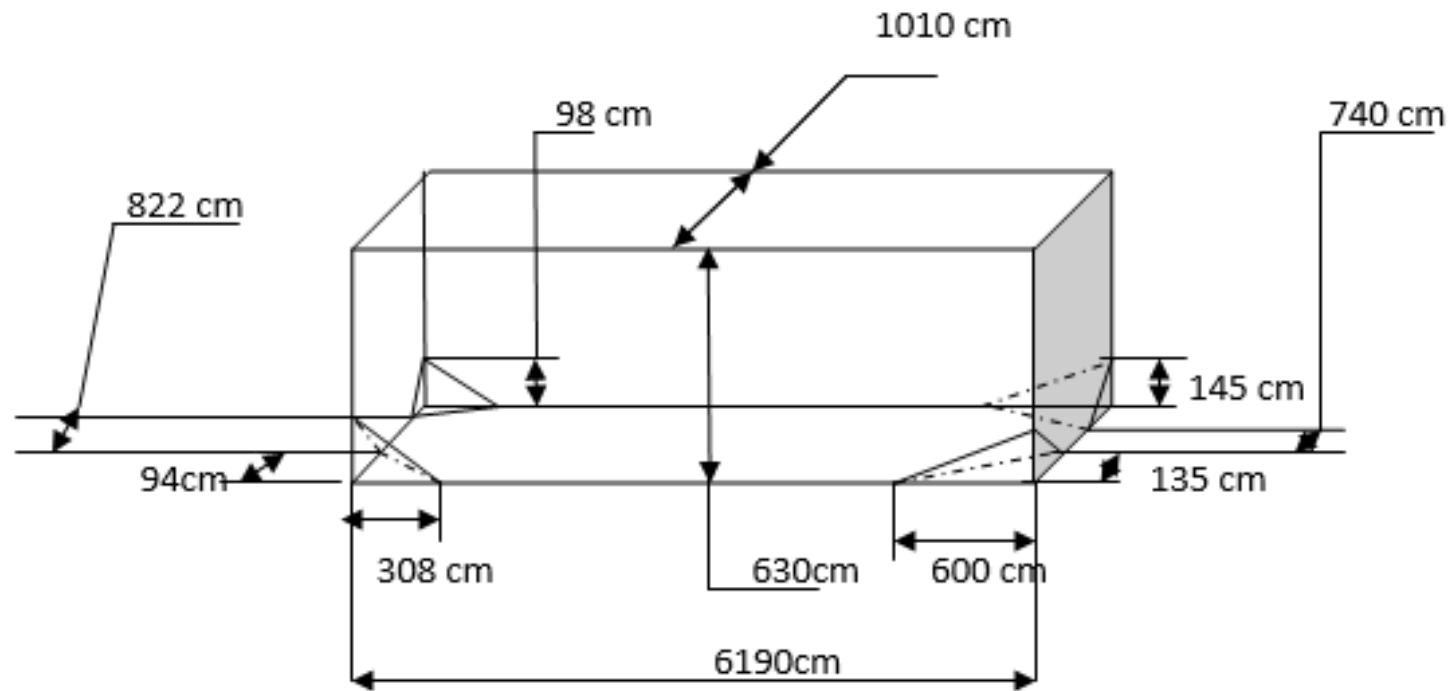


Cargo hold configuration



After

Forward